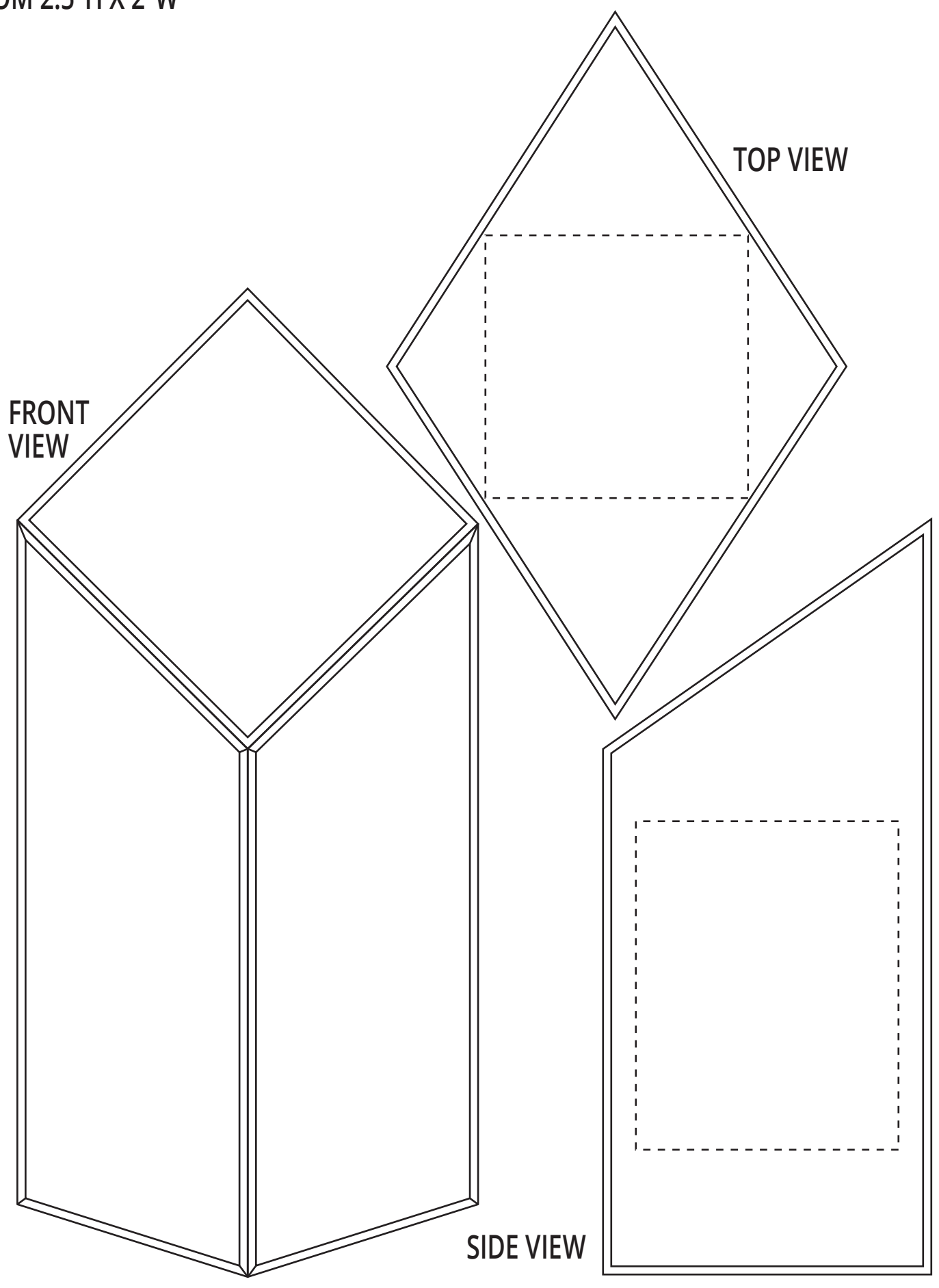


#4021 FRONT SIDE/TOP ETCHED

MAXIMUM ETCHING AREA

TOP 2" H X 2" W

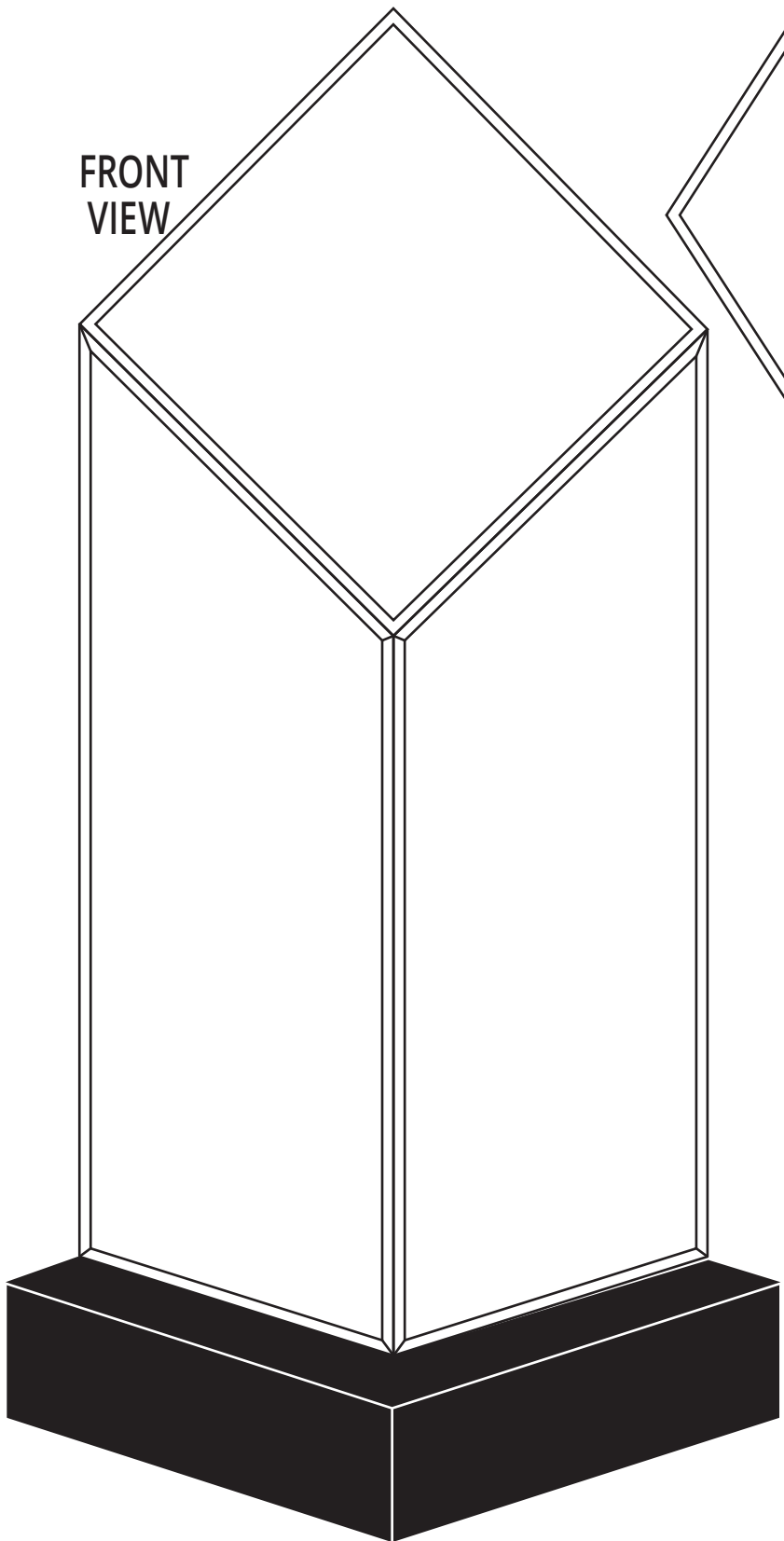
BOTTOM 2.5" H X 2" W



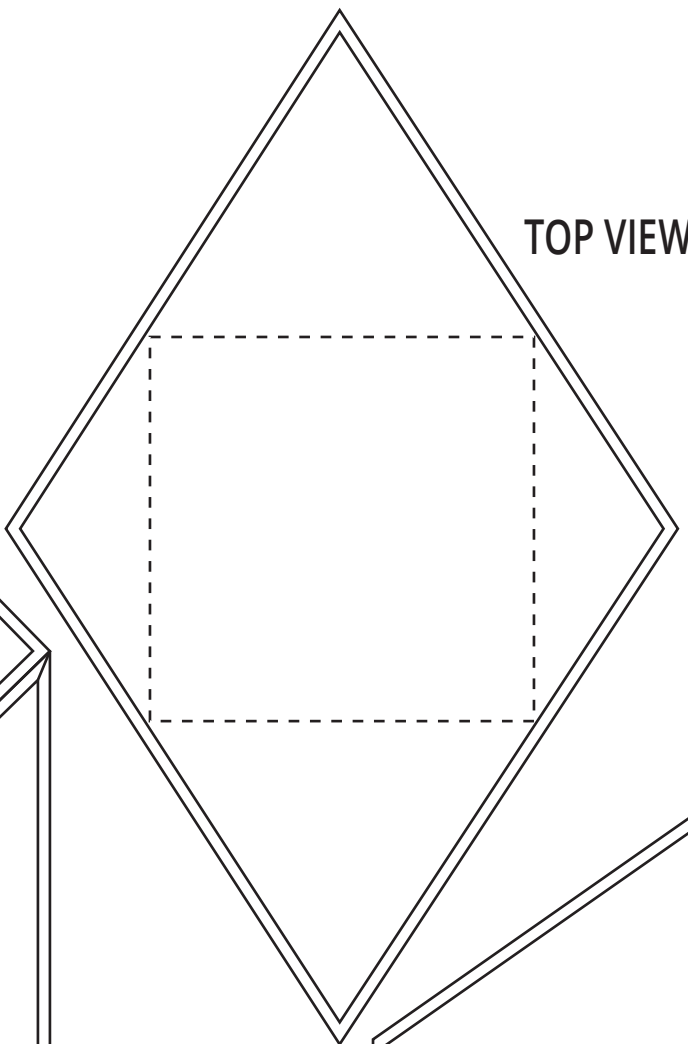
#4021K FRONT SIDE/TOP ETCHED

MAXIMUM ETCHING AREA
TOP 2" H X 2" W
BOTTOM 2.5" H X 2" W

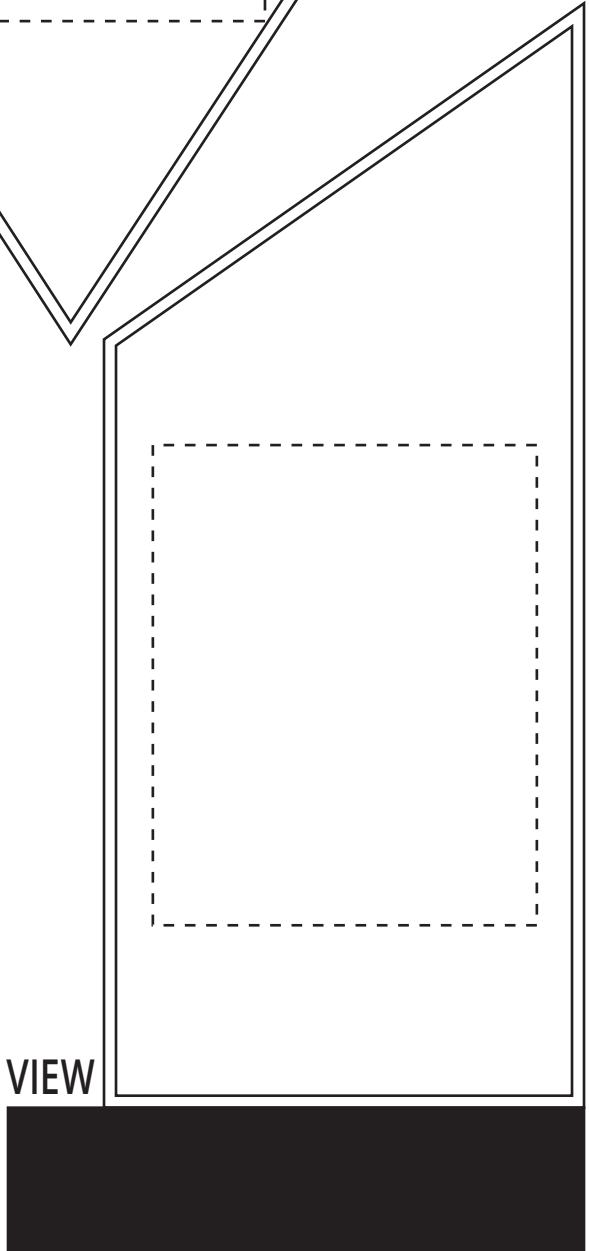
FRONT
VIEW



TOP VIEW



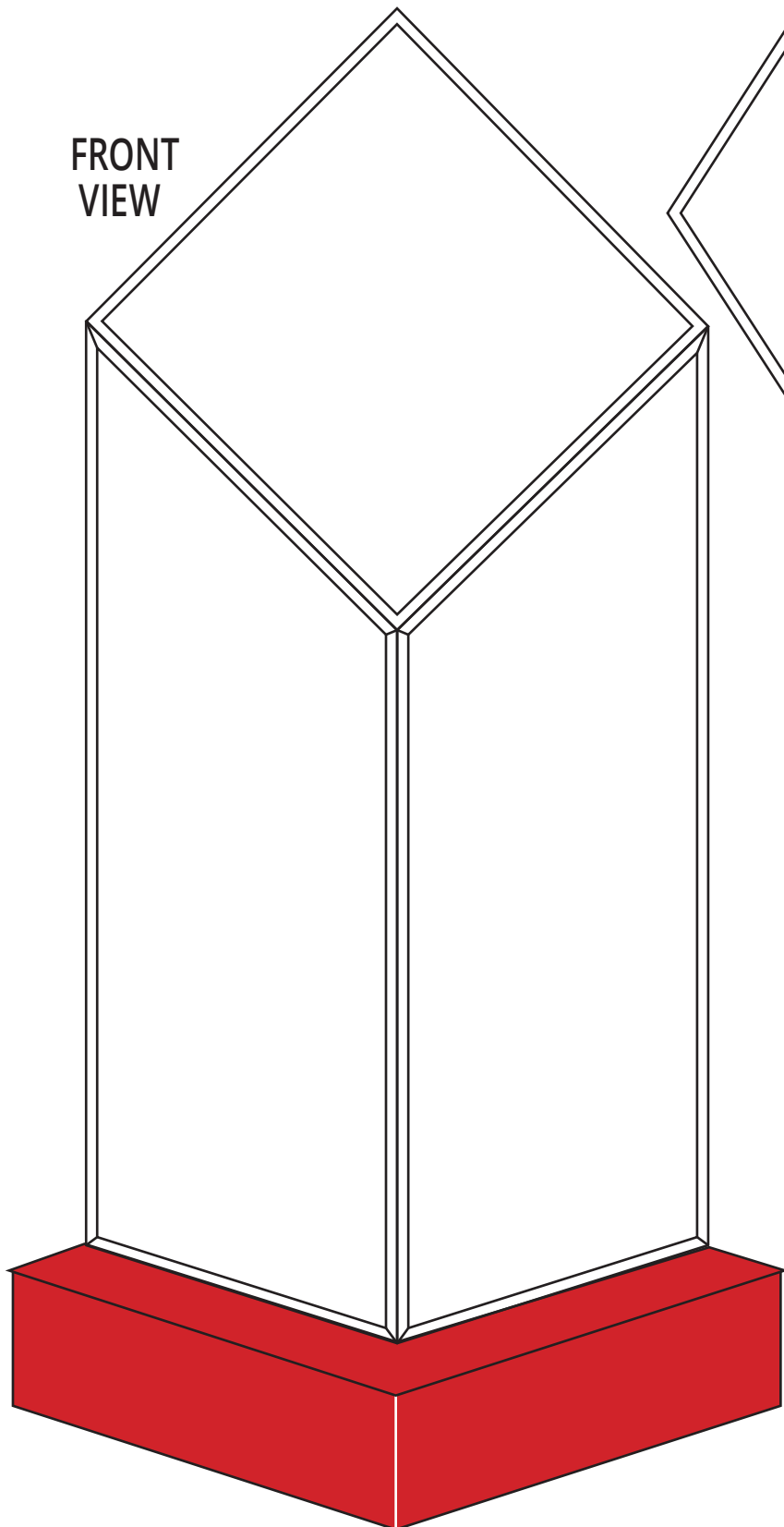
SIDE VIEW



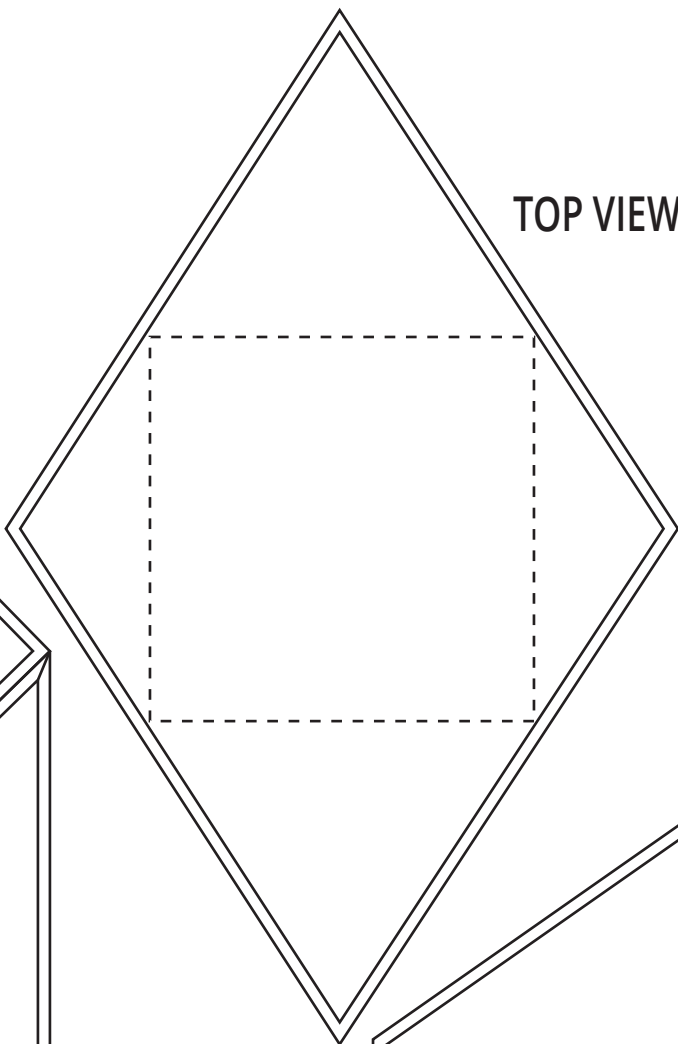
#4021R FRONT SIDE/TOP ETCHED

MAXIMUM ETCHING AREA
TOP 2" H X 2" W
BOTTOM 2.5" H X 2" W

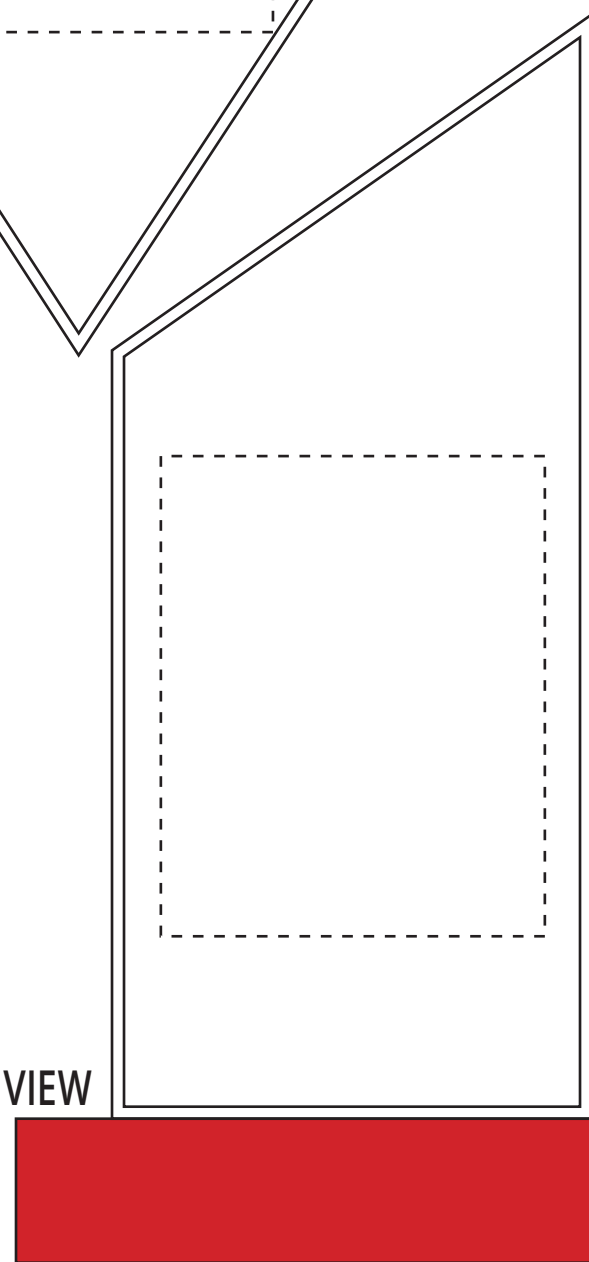
FRONT
VIEW



TOP
VIEW



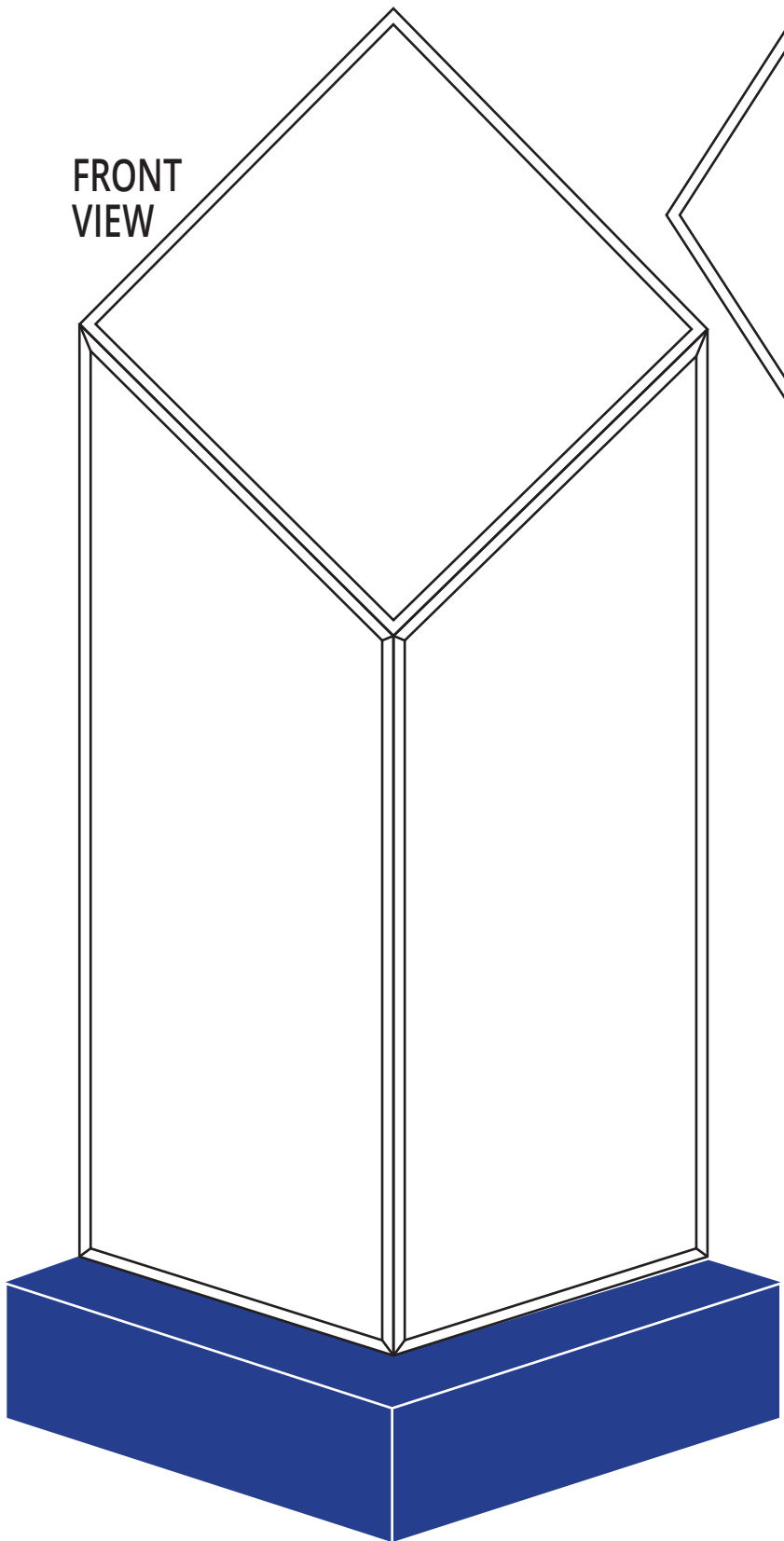
SIDE
VIEW



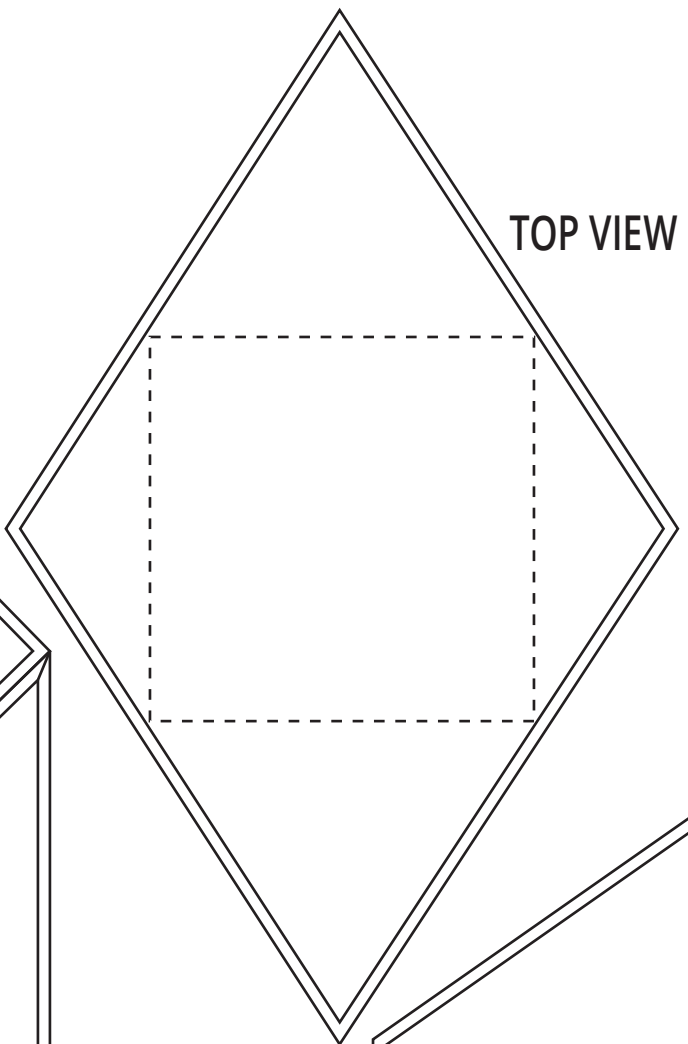
#4021B FRONT SIDE/TOP ETCHED

MAXIMUM ETCHING AREA
TOP 2"H X 2"W
BOTTOM 2.5"H X 2"W

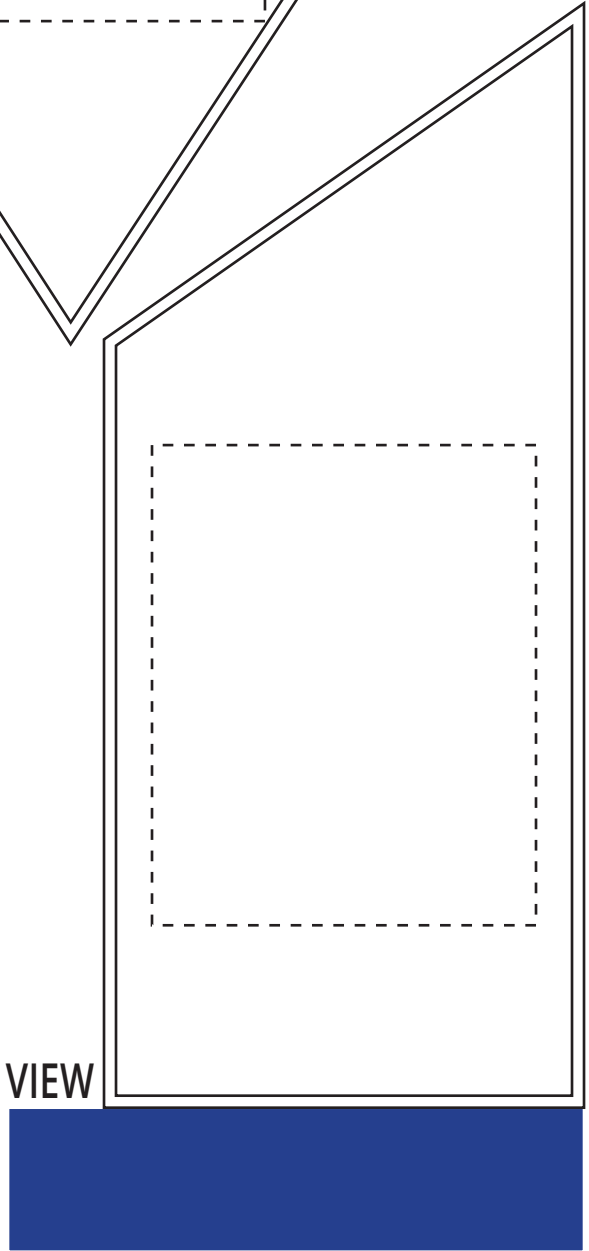
FRONT
VIEW



TOP
VIEW



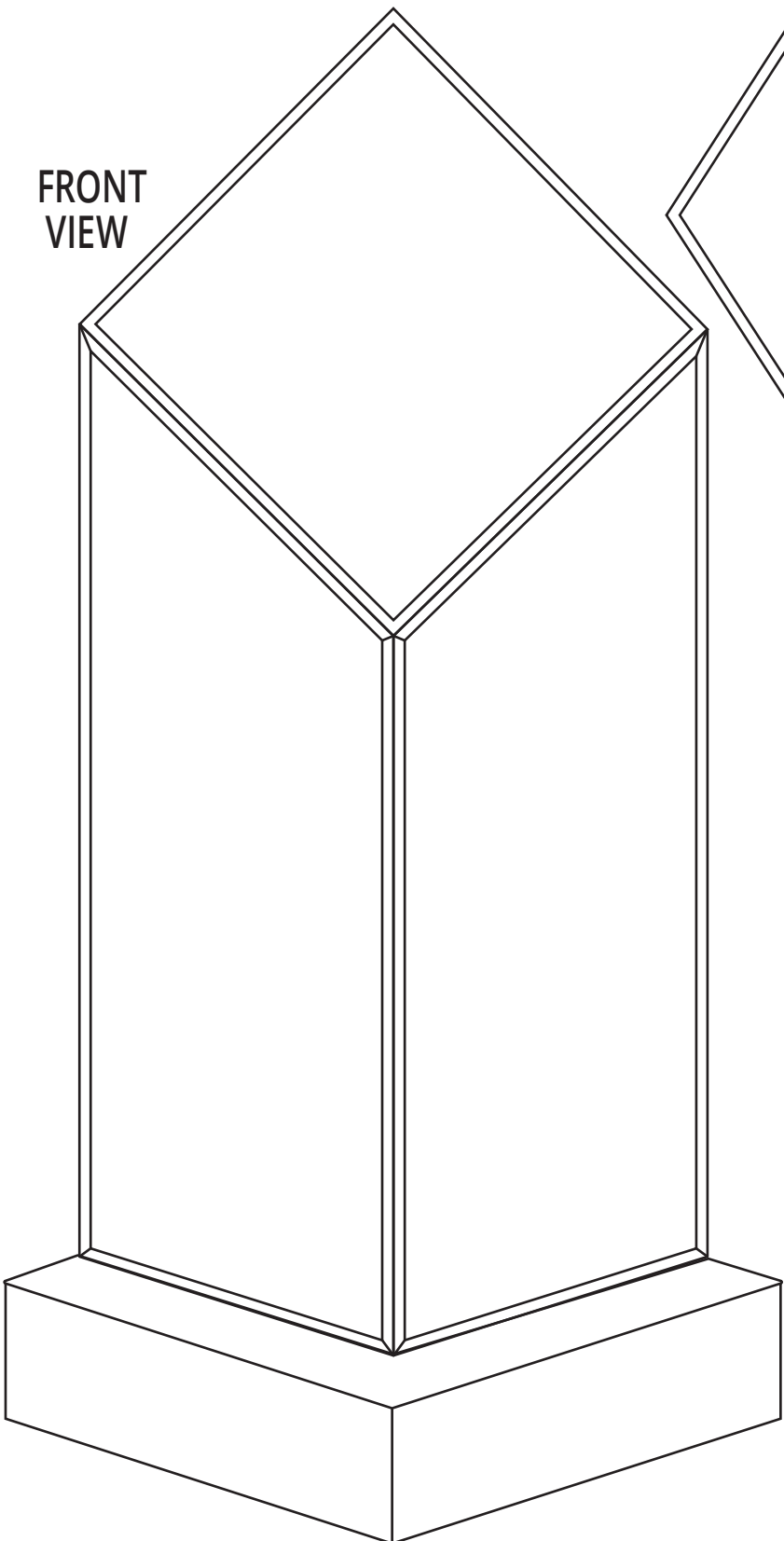
SIDE
VIEW



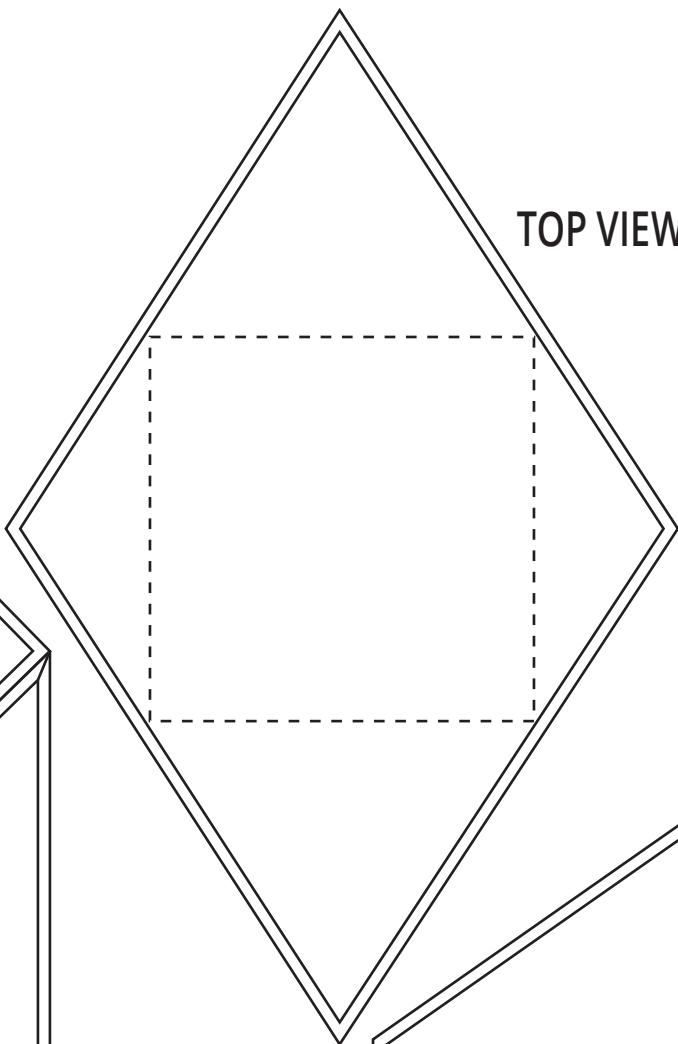
#4021C FRONT SIDE/TOP ETCHED

MAXIMUM ETCHING AREA
TOP 2" H X 2" W
BOTTOM 2.5" H X 2" W

FRONT
VIEW



TOP
VIEW



SIDE
VIEW

